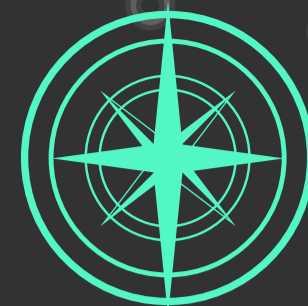
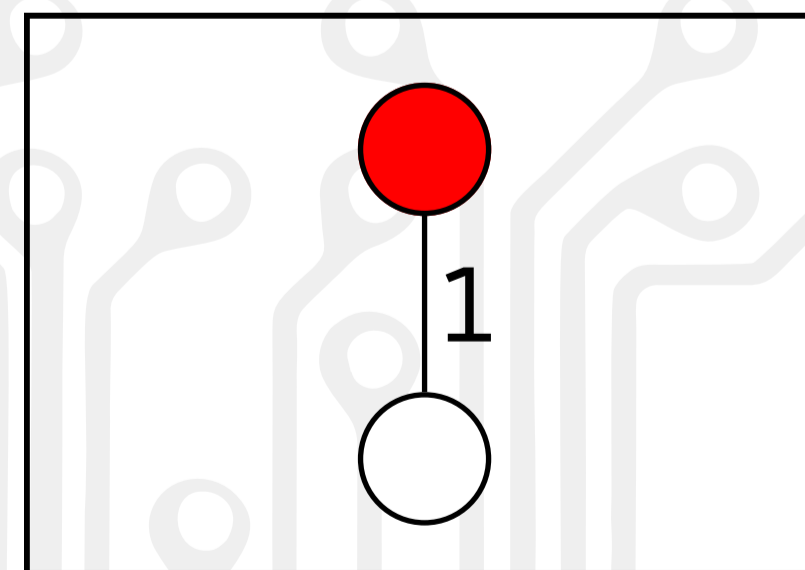
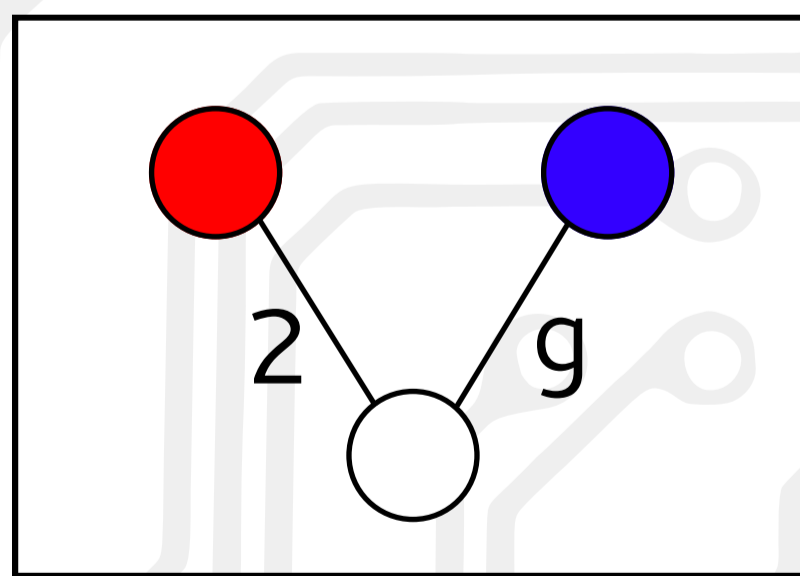
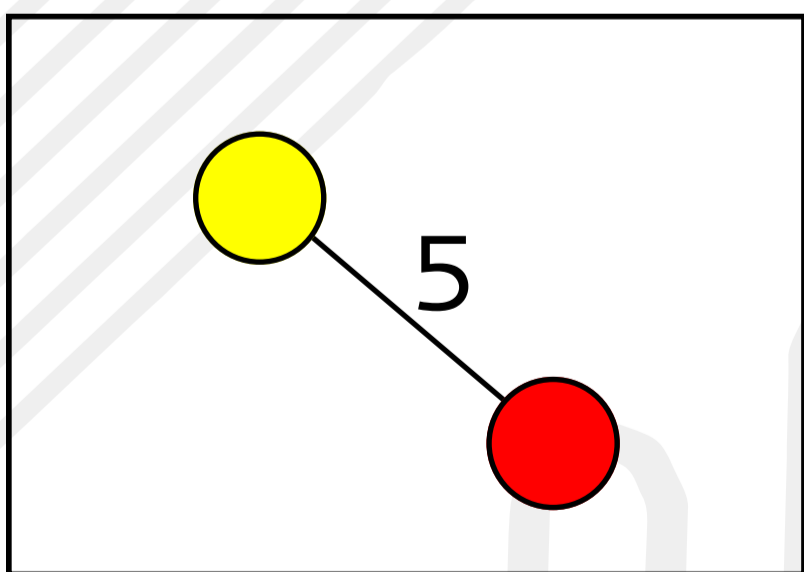
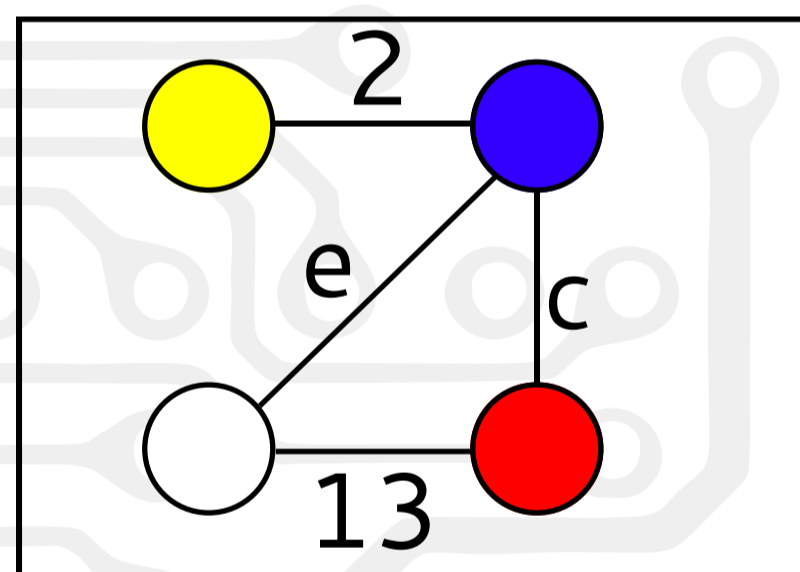
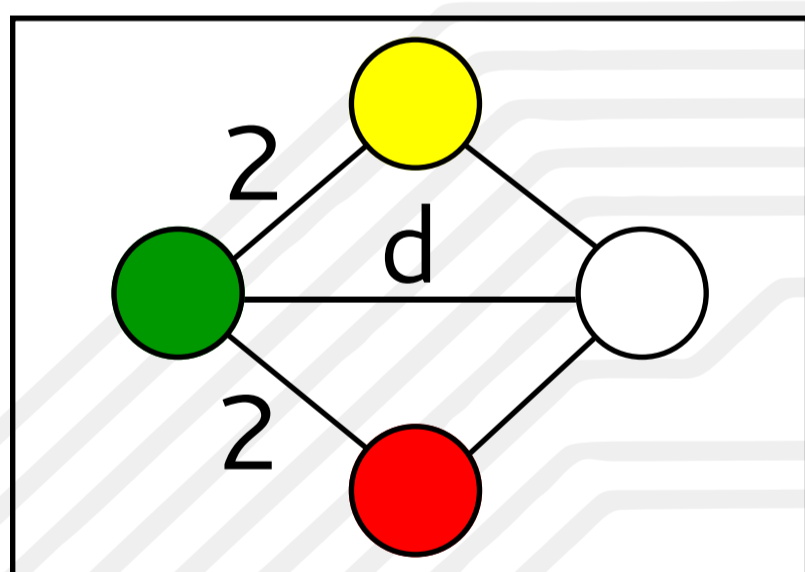
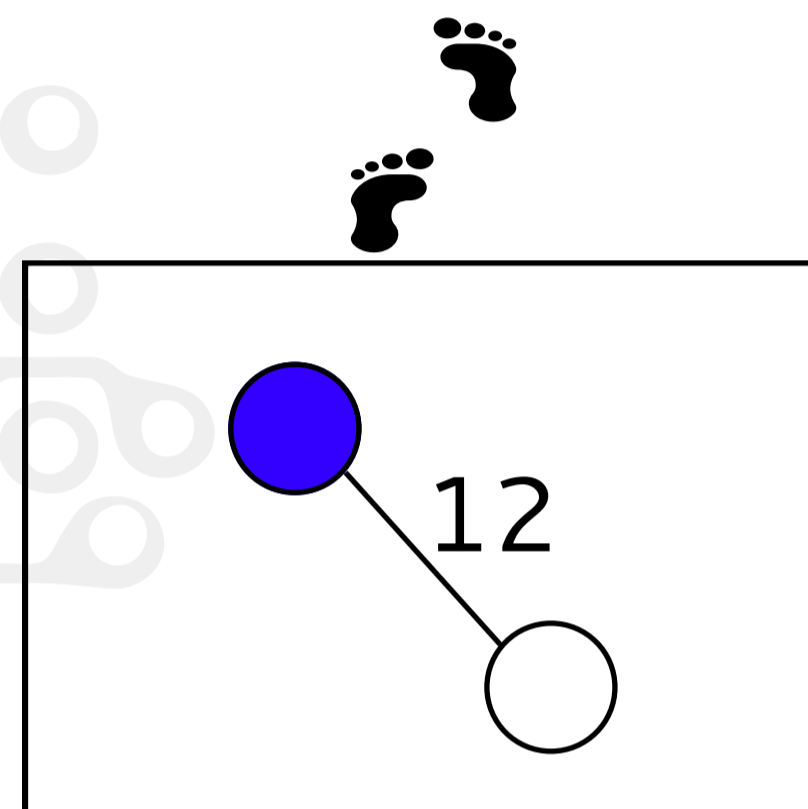
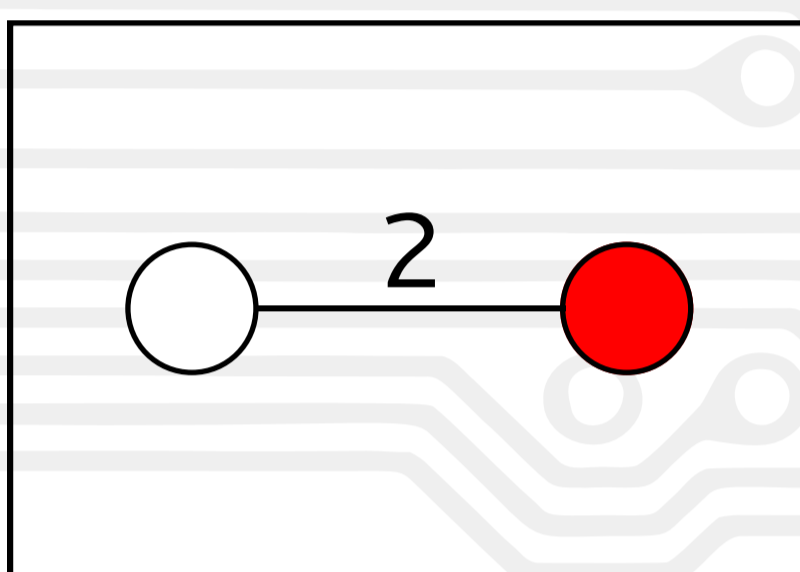
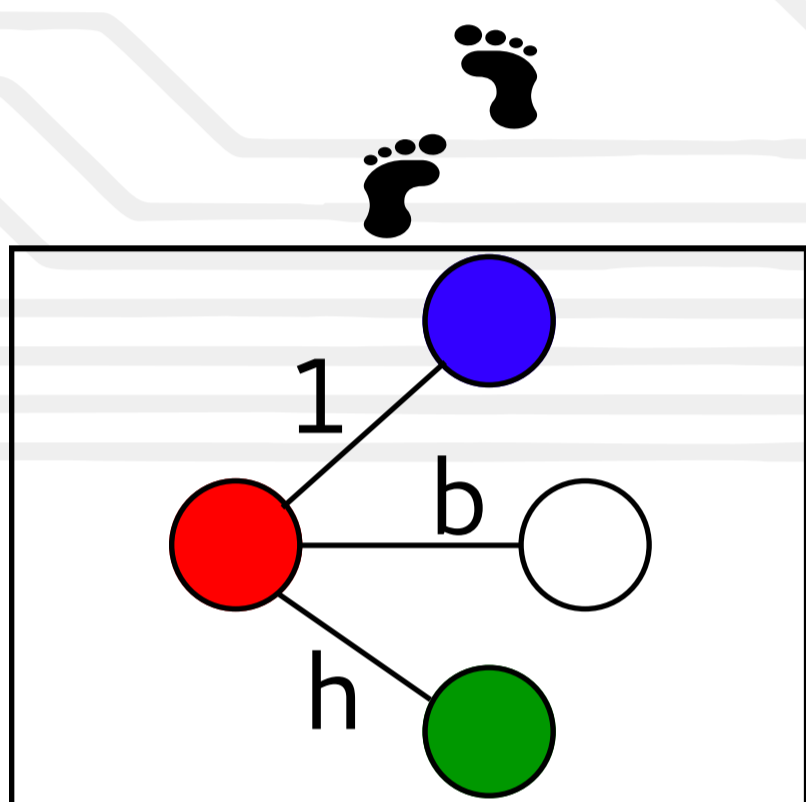
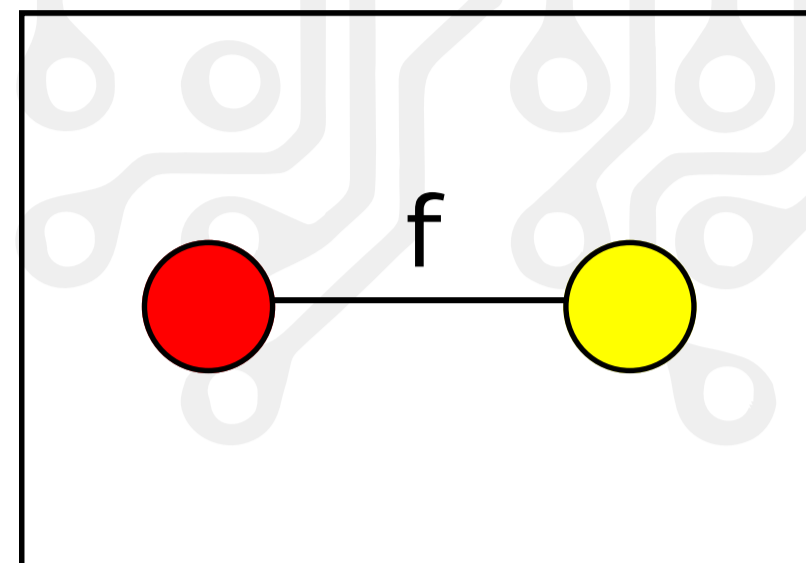
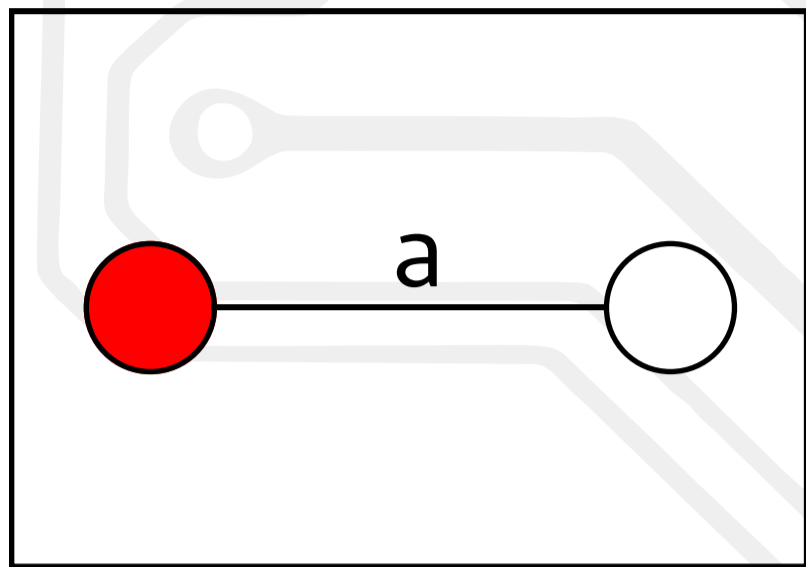


# Adjacent Borders



W



$$cbde(g*3)(a-1)fh = ?$$

$$(e+2)a(b*2)(c+1)de(g+1) = ?$$

Puzzle code:

**bwTR5EzJfLZeM6f**